



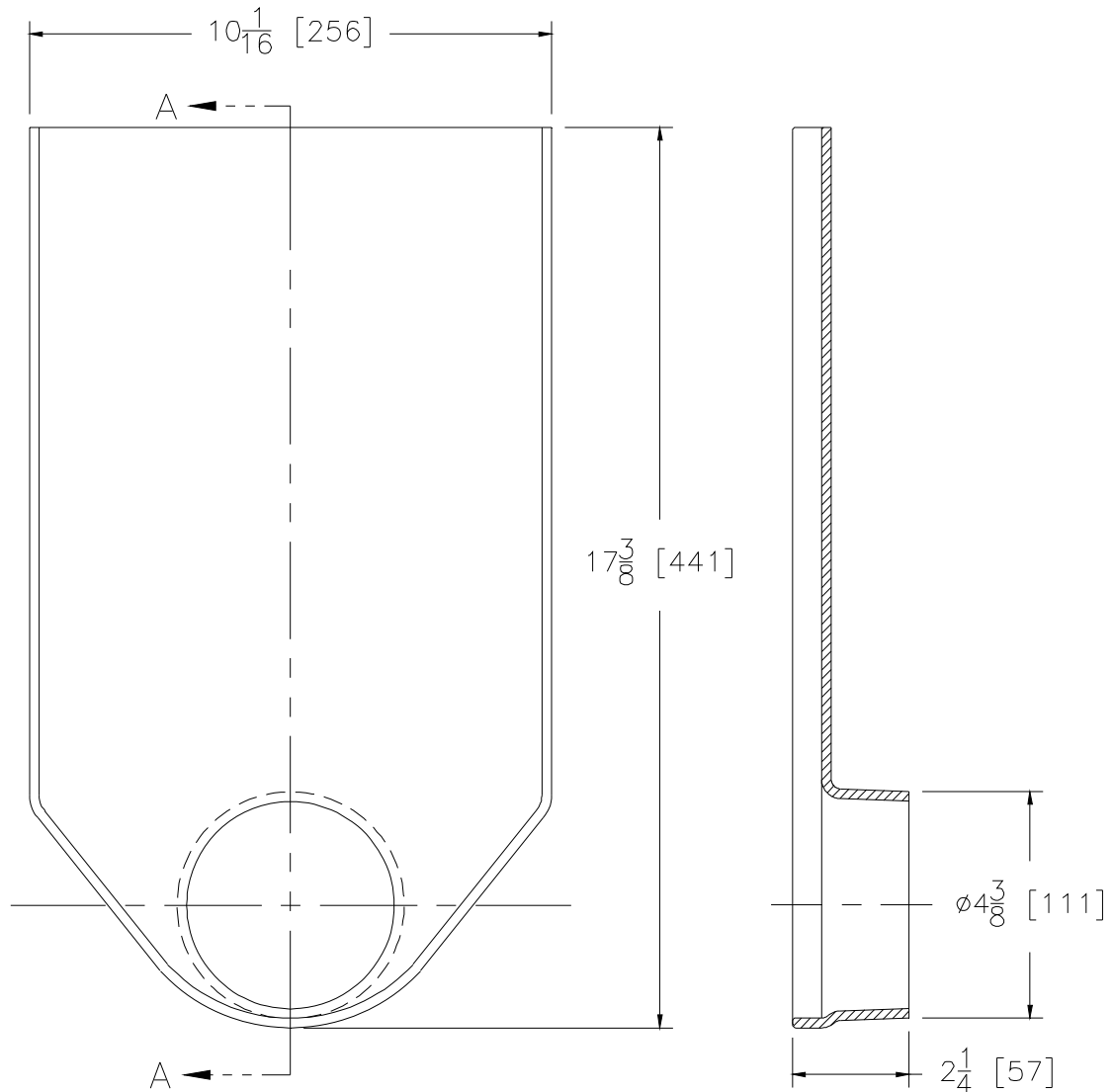
Z812 End Outlets

Dimensional Data (inches and [mm]) are Subject to Manufacturing Tolerances and Change Without Notice

Please Check ✓	Item No.	Part Number	Item I.D.
	1	578870026	P812-E4

ENGINEERING SPECIFICATION: ZURN Z812-E4

4 [102] No-Hub End Outlet for 12 [301] wide Trench Drainage System. Outlet is made of 3/16 [5] thick fiberglass and is designed for No-Hub applications using an adapter (Supplied by others). A minimum trench invert of 6 [152] is recommended to allow adequate amount of concrete on top. ****Unit to be cut in field per channel depth.**



SECTION A-A

Supplied By:



877-903-7246

www.trenchdrainsupply.com



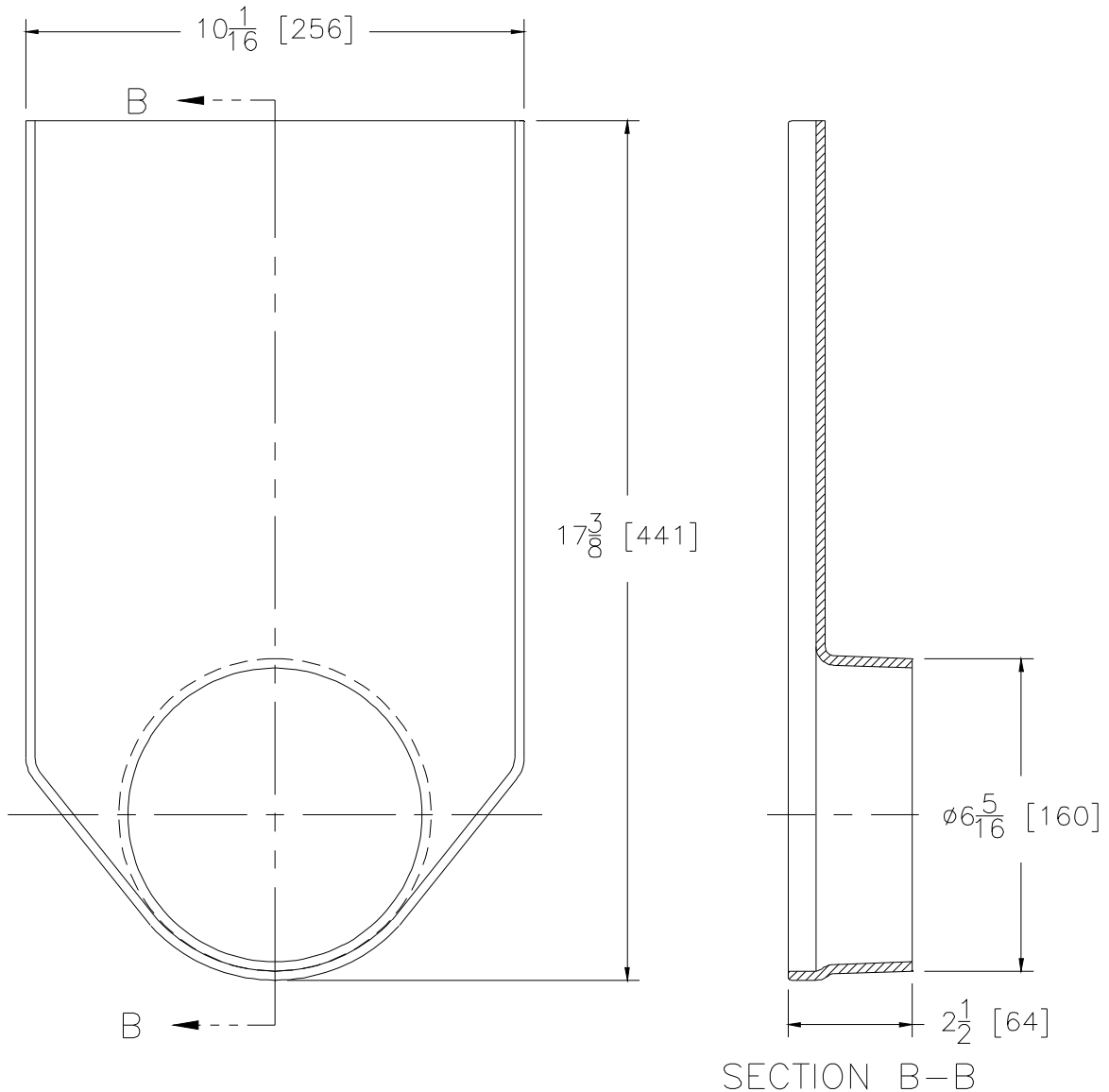
Z812 End Outlets

Dimensional Data (inches and [mm]) are Subject to Manufacturing Tolerances and Change Without Notice

Please Check	Item No.	Part Number	Item I.D.
✓	2	578870036	P812-E6

ENGINEERING SPECIFICATION: ZURN Z812-E6

6 [152] No-Hub End Outlet for 12 [301] wide Trench Drainage System. Outlet is made of 3/16 [5] thick fiberglass and is designed for No-Hub applications using an adapter (Supplied by other). A minimum trench invert of 6 [152] is recommended to allow adequate amount of concrete on top. ****Unit to be cut in field per channel depth.**



Supplied By:

**TRENCHDRAIN
SUPPLY**

877-903-7246

www.trenchdrainsupply.com

Form # FT991

Date: 7/30/10

C.N. No. 111450

Rev.

Page 2 of 3

ZURN INDUSTRIES, LLC ♦ SPECIFICATION DRAINAGE OPERATION ♦ 1801 Pittsburgh Ave. ♦ Erie, PA 16514

Phone: 814455-0921 ♦ Fax: 814454-7929 ♦ World Wide Web: www.zurn.com

In Canada: ZURN INDUSTRIES LIMITED ♦ 3544 Nashua Drive ♦ Mississauga, Ontario L4V1L2 ♦ Phone: 905405-8272 Fax: 905405-1292



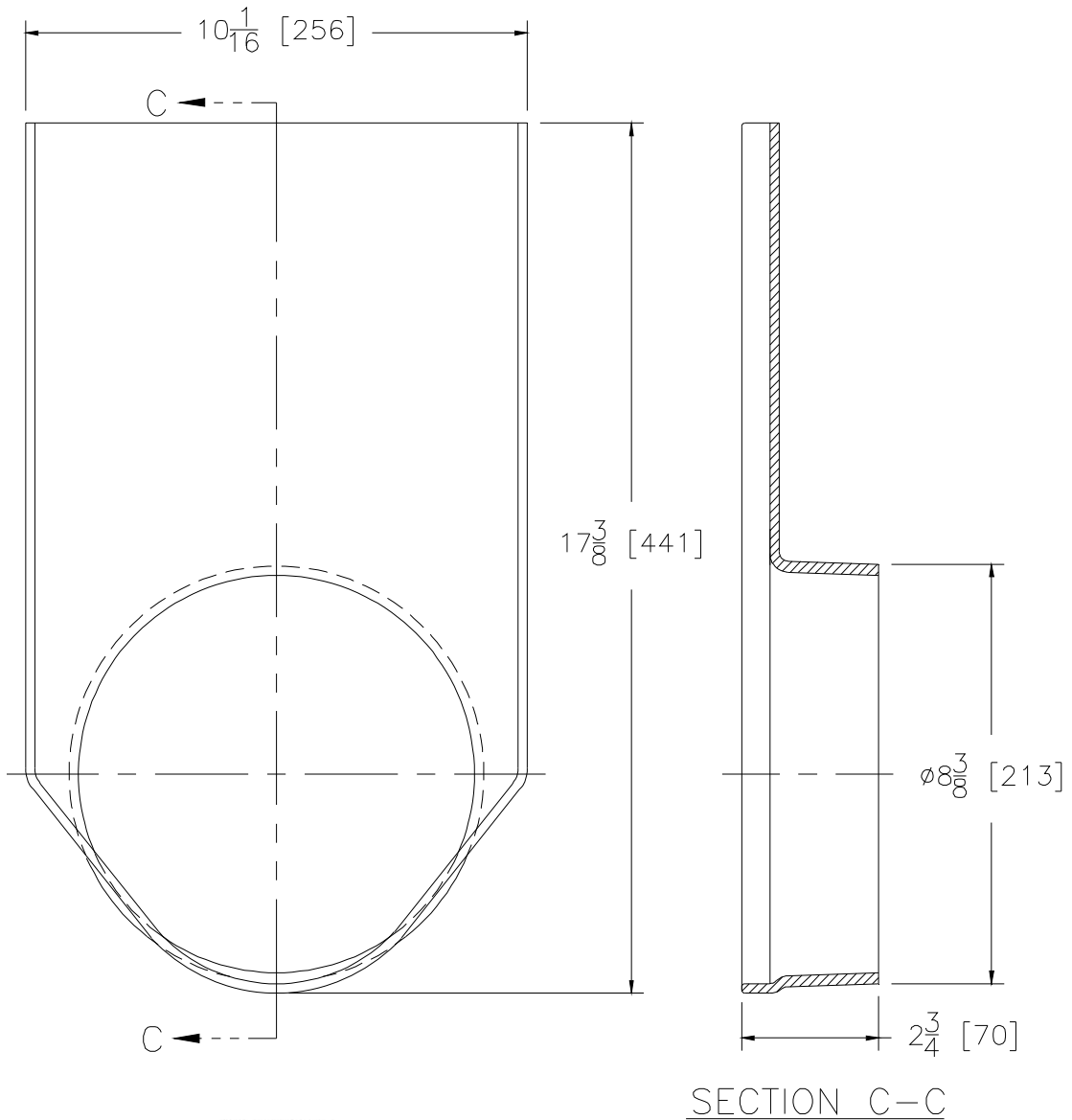
Z812 End Outlets

Dimensional Data (inches and [mm]) are Subject to Manufacturing Tolerances and Change Without Notice

Please Check ✓	Item No.	Part Number	Item I.D.
	3	570730196	P812-E8

ENGINEERING SPECIFICATION: ZURN Z812-E8

8 [203] No-Hub End Outlet for 12 [301] wide Trench Drainage System. Outlet is made of 7/32 [6] thick fiberglass and is designed for No-Hub applications using an adapter (Supplied by other). A minimum trench invert of 6 [152] is recommended to allow adequate amount of concrete on top. ****Unit to be cut in field per channel depth.**



Supplied By:

**TRENCHDRAIN
SUPPLY**

877-903-7246

www.trenchdrainsupply.com